

High speed forming, cutting and wrapping machine for products in side fold. An automatic comic strip supplement increases the point of sale attractiveness of the wrapped product.

U1-EFC



Side Fold with comic strip

Products

- Hard and Soft Caramels
- Toffees
- Chewy Sweets
- Chewing Gum

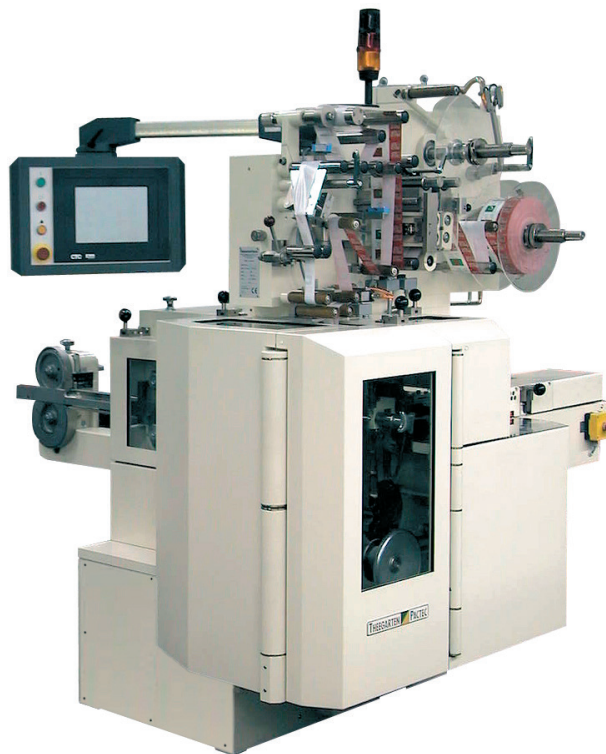
Output

- up to 1000 products/min

Product dimensions



Length: 25–45 mm
Width: 12–25 mm
Height: 5–15 mm
Special sizes upon request



U1-EFC

Wrapping material

- Wax paper

Material dimensions

- Reel diameter: up to 350 mm
- Core diameter: 70–76,2 mm

Utilities

- Connected load: 12 kVA
- Compressed air consumption:
1,5 m³/h; 600 kPa
- Cooling water consumption:
0,15 m³/h
Temperature: 10 ... 15°C
Pressure: min. 200 kPa

Measurements

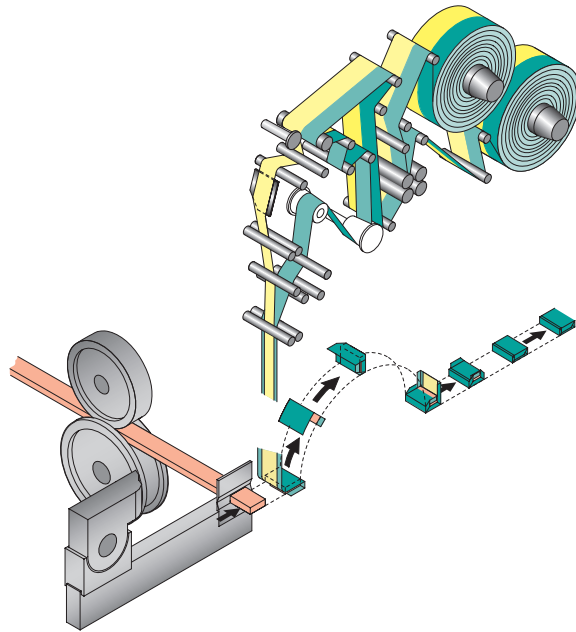
- Machine:
Length: 1710 mm
Width: 1970 mm
Height: 1975 mm
- Switch cabinet:
Length: 1200 mm
Width: 500 mm
Height: 2000 mm

Weight

- Machine: 2100 kg
- Switch cabinet: 270 kg

Combination

Depending on the product, the machine can be synchronized either with a batch roller and rope sizing machine (toffees, hard and soft caramels) or an appropriate extruder and cooling tunnel (chewing gum, bubble-gum, chewy candy).



Special features

- prefeeder and water-cooled guillotine knife
- Automatic splicer to change wrapping material reels without stopping the machine
- Servo control with PLC functions
- Central lubrication of all gear parts including oil pressure control/temperature control
- Pneumatic core locking and reel tensioning devices
- outer wrapper and under strip is fed from one reel and is separated on the machine by means of a knife
- inner wrapper (comic strip resp. sticker) can be single or double-folded
- Servo-driven wrapping material feed rollers and wrapping material knife
- Photo-electric print registration
- special discharge with heating and cooling sections for a perfect wrapping and sealing of the products

- All electrical and electronic components are located in a separate switch cabinet
- Excellent accessibility for operation, maintenance and cleaning purposes
- Easy operation due to the touch screen
- Due to the automatic operation, several machines can be handled by one operator
- System of protection: IP 54

Options

- Electronic speed control
- The comic strip can be replaced by stickers, tattoos, etc. (separate material reel)
- Counting and separating unit for a desired number of products