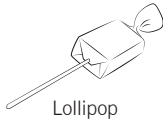


Forming, cutting and wrapping machine for soft caramel lollipops.  
The machine wraps soft caramels in top twist wrapping style  
with simultaneous lollipop stick insertion.

# EW7



#### Products

- Hard and Soft Caramels
- Toffees
- Chewy Sweets
- Chewing Gum

#### Output

- up to 350 products/min

#### Product dimensions



Length: 30–50 mm  
Width: 14–25 mm  
Height: 8–14 mm  
Stick length:  
75–90 mm  
Stick diameter:  
3– 4 mm



# EW7

## Wrapping material

- Wax paper
- Cellophane
- Aluminium/paper – coated
- Polypropylene

## Material dimensions

- Reel diameter: up to 350 mm
- Reel width: up to 120 mm
- Core diameter: 75 mm

## Utilities

- Connected load: 4 kVA
- Compressed air consumption: 0,5 m<sup>3</sup>/h; 600 kPa

## Measurements

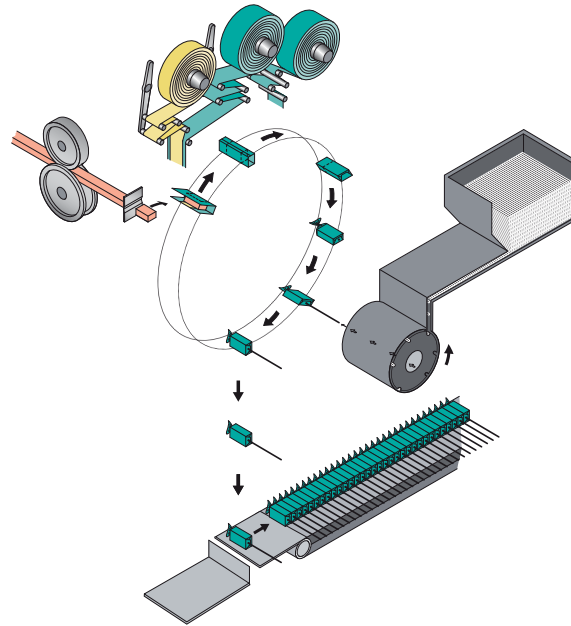
- Length: 2819 mm
- Width: 1288 mm
- Height: 2119 mm

## Weight

- 1400 kg

## Combination

Depending on the product, the machine can be synchronized either with a batch roller and rope sizing machine (toffees, hard and soft caramels) or an appropriate extruder and cooling tunnel (chewing gum, bubble-gum, chewy candy).



## Special features

- PLC control
- Rope feeding unit to produce products of rectangular or square shape
- Wrapping material feeding system driven by an independent servo motor to guarantee highest cut-off precision
- Saving of wrapping material by “no product – no paper” -device
- Saving of lollipop sticks by “no product – no stick” -device
- Infinitely variable adjustment of the twist gripper oscillation depending on the wrapping material quality
- Automatic temperature control of the sealing units
- Slide-in module for the insertion of the lollipop stick into the wrapped product
- Defined product discharge via discharge conveyor
- Machine stop in case of accumulation of mass rope or wrapping material respectively lollipop stick supply troubles

- All electrical and electronic elements are integrated in the machine
- Due to the automatic operation, several machines can be handled by one operator
- Excellent accessibility for operation, maintenance and cleaning purposes
- System of protection: IP 54

## Optional extras

- Photo-electric print registration
- Automatic adjustment of the machine speed via rope control unit
- Curing conveyor between rope sizing and wrapping machine
- Device for using polypropylene