

Forming, cutting and wrapping machine for products in different wrapping styles. Quick change of the wrapping style is possible by an easy exchange of the wrapping units.

# EW5



#### Products

- Hard and Soft Caramels
- Toffees
- Chewy Sweets
- Chewing Gum

#### Output

- up to 600 products/min

#### Product dimensions



Length: 19–45 mm  
Width: 12–25 mm  
Height: 5–16 mm  
Ø: 11–16 mm



# EW5

## Wrapping material

- Wax paper
- Cellophane
- Aluminium/paper – coated
- Polypropylene (Double Twist with device for handling PP)

## Material dimensions

- Reel diameter: up to 350 mm
- Reel width: up to 120 mm
- Core diameter: 75 mm

## Utilities

- Connected load: 4 kVA
- Compressed air consumption: 0,5 m<sup>3</sup>/h; 600 kPa
- Cooling water consumption: 0,1 m<sup>3</sup>/h

## Measurements

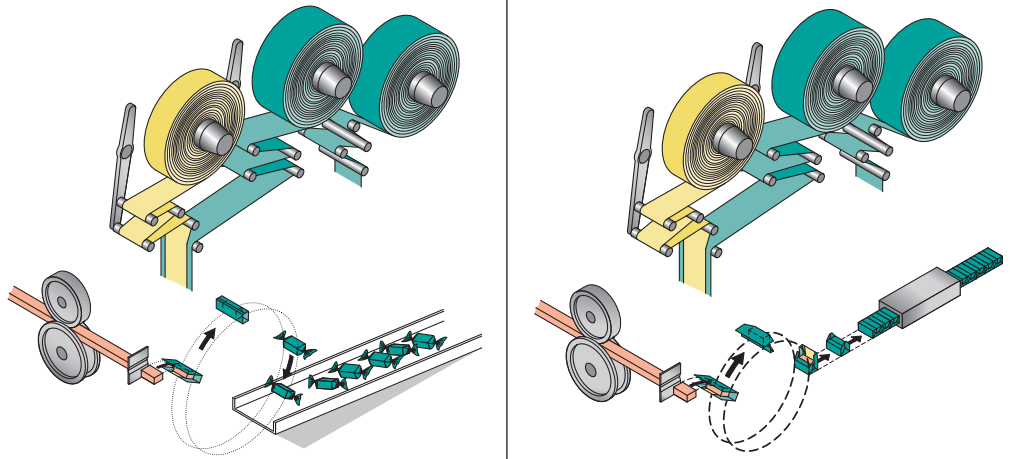
- Length: 1140 mm
- Width: 1185 mm
- Height: 1810 mm

## Weight

- 1250 kg

## Combination

Depending on the product, the machine can be synchronized either with a batch roller and rope sizing machine (toffees, hard and soft caramels) or an appropriate extruder and cooling tunnel (chewing gum, bubble-gum, chewy candy).



## Special features

- PLC control
- rope feeding unit to produce products of rectangular, square or round shape
- Saving of wrapping material by “no product – no paper” -device
- Infinitely variable adjustment of the twist gripper oscillation depending on the wrapping material quality
- Automatic temperature control of the sealing units
- Additional cooling in case of fold wrap
- All electrical and electronic elements are integrated in the machine
- Machine stop in case of accumulation of mass rope or wrapping material troubles

- Due to the automatic operation, several machines can be handled by one operator
- Excellent accessibility for operation, maintenance and cleaning purposes
- System of protection: IP 54

## Optional extras

- Photo-electric print registration
- Automatic adjustment of the machine speed via rope control unit
- Curing conveyor between rope sizing and wrapping machine
- Device for using polypropylene (double twist)