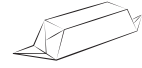


Forming, cutting and wrapping machine for products in Vienna-Fruit-Fold.
Short toffee masses like Fudge and Krowki can be processed.

EW10



Vienna-Fruit-Fold

Products

- Fudge
- Krowki

Output

- up to 300 products/min

Product dimensions



Length: 25–35 mm
Width: 16–18 mm
Height: 10–15 mm



EW10

Wrapping material

- Wax paper
- Chromo paper
- Aluminium/paper – coated

Material dimensions

- Reel diameter: up to 350 mm
- Reel width: up to 120 mm
- Core diameter: 75 mm

Utilities

- Connected load: 4 kVA

Measurements

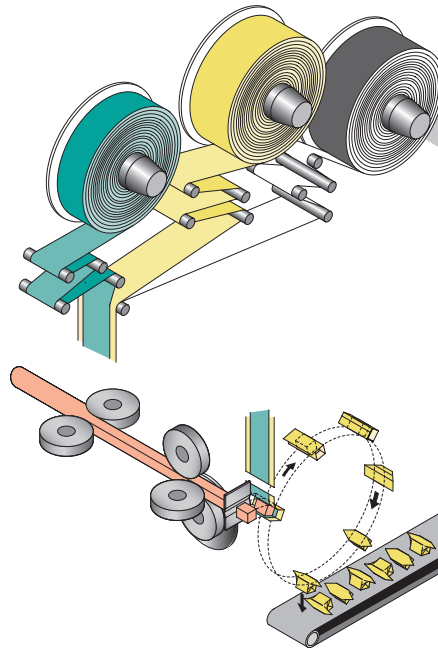
- Length: 2800 mm
(with feeding conveyor)
- Width: 1450 mm
- Height: 1810 mm

Weight

- 1300 kg

Combination

Masses of particularly short consistency will have to be fed manually. However, the machine could also be combined with a rope sizing machine.



Special features

- PLC control
- Saving of wrapping material by “no product – no paper” -device
- Machine stop in case of accumulation of mass rope or wrapping material troubles
- All electrical and electronic elements are integrated in the machine
- Excellent accessibility for operation, maintenance and cleaning purposes
- System of protection: IP 54

Options

- Photo-electric print registration
- Second wrapping material reel for outer wrapper
- Original Vienna-Fruit-Fold