

High speed wrapping machine for preformed bouillon cubes and tablets. Very high output rates for mass production are achieved by simultaneous feeding and wrapping in twin-lane execution.

# BCW3



Envelope Fold



Bottom Fold



Side Fold



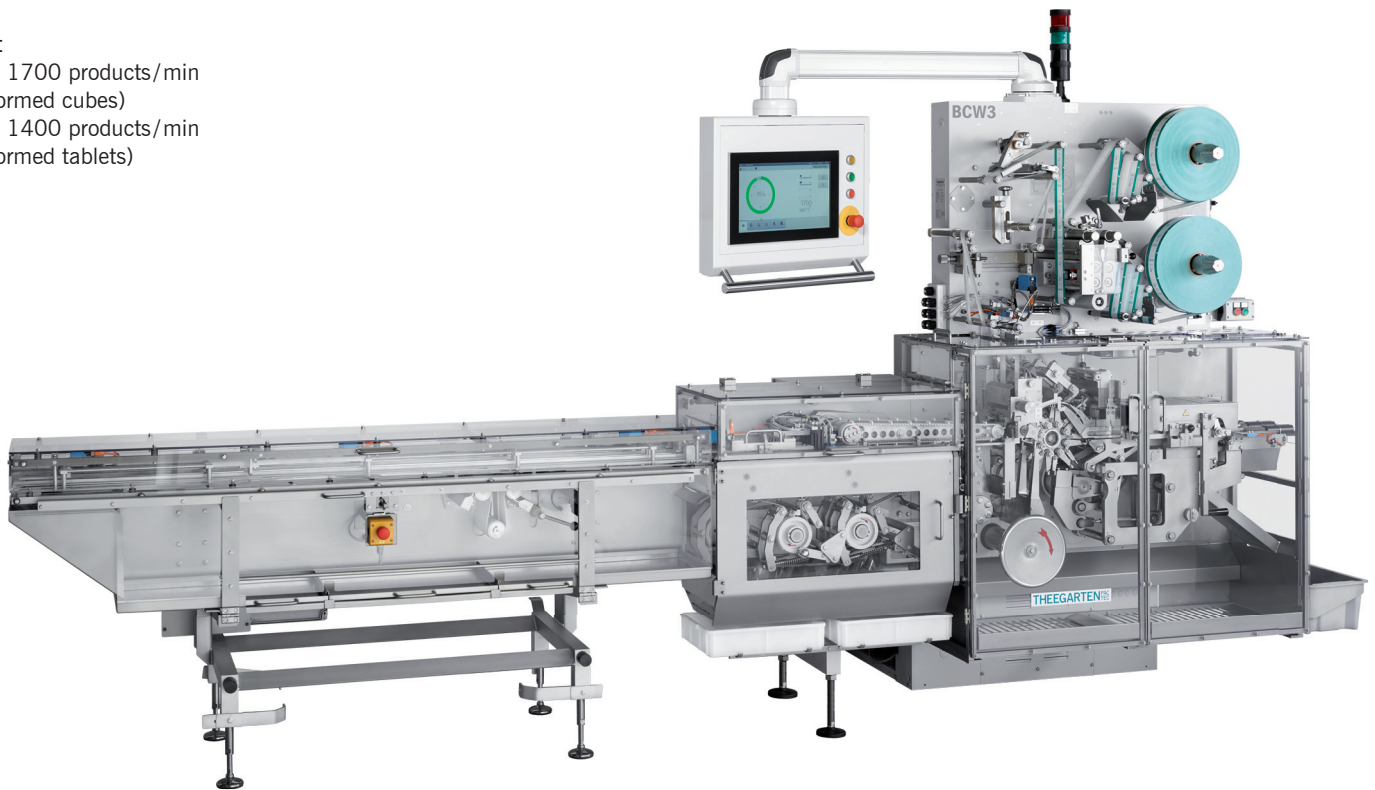
Cube

## Products



- Preformed Cubes
- Preformed Tablets

## Output

- up to 1700 products/min (preformed cubes)
- up to 1400 products/min (preformed tablets)



## Product dimensions

	Length: 13,5–20 mm
	Length: 13,5–35 mm Width: 13,5–25 mm Height: 6–20 mm Special sizes upon request

# BCW3

## Wrapping material

- Aluminium/paper – coated (sealable)
- Aluminium/OPP – coated (sealable)
- Metallized OPP

## Material dimensions

- Reel diameter: up to 350 mm
- Core diameter: 70–76,2 mm

## Utilities

- Connected load:
  - mechanical separation 16 kVA
  - electronic separation 25 kVA
- Compressed air consumption:
  - 1,5 m<sup>3</sup>/h; 600 kPa
- Cooling water consumption:
  - 0,15 m<sup>3</sup>/h
  - Temperature: 10 ... 15°C
  - Pressure: min. 200 kPa

## Measurements

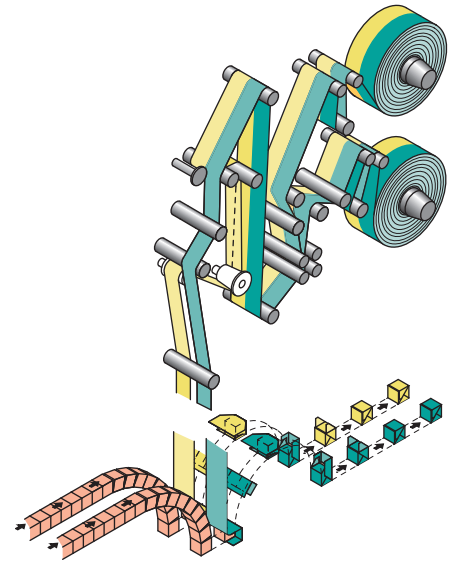
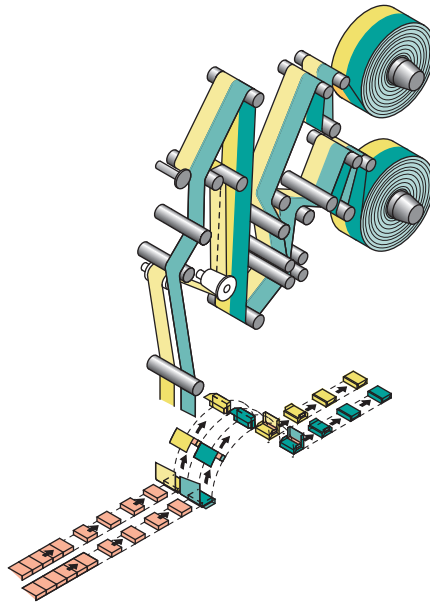
- Machine:
  - Length: 4300 mm
  - Width: 1200 mm
  - Height: 2300 mm
- Switch cabinet:
  - Length: 2000 mm
  - Width: 500 mm
  - Height: 1900 mm

## Weight

- Machine: 2000 kg
- Electronic separation: 400 kg
- Switch cabinet: 400 kg

## Combination

Direct synchronisation with the cube press



## Special features

- Automatic splicer to change wrapping material reels without stopping the machine
- Pneumatic core locking and reel tensioning devices
- Servo-driven wrapping material feed rollers and wrapping material knife
- Ejection of spliced, mal-registered and unwrapped products
- Servo control with PLC functions
- Central lubrication of all gear parts including oil pressure control/temperature control
- All electrical and electronic components are located in a separate switch cabinet
- Excellent accessibility for operation, maintenance and cleaning purposes
- Direct synchronisation with the cube press
- Sealing device with optional cooling section for wrapped products
- Easy operation due to the touch screen
- Due to the automatic operation, several machines can be handled by one operator

## Optional extras

- Photo-electric print registration
- Turning device at 180°
- Code-dating device
- Tear tape device

## Electronic separation

For the simultaneous wrapping of 2 resp. 4 square resp. rectangular products, consisting of one accumulation conveyor and two parallel arranged phasing and acceleration conveyors for the controlled product positioning.

## Mechanical separation

For the simultaneous wrapping of 2 resp. 4 cubes, consisting of two transport conveyors with a length of 1 meter each and two 90° infeed curves.