

Wrapping machine for preformed products in double twist.  
A quick change of product dimensions is possible due to  
an easy exchange of the size parts.

# Milletwist | |




## Products

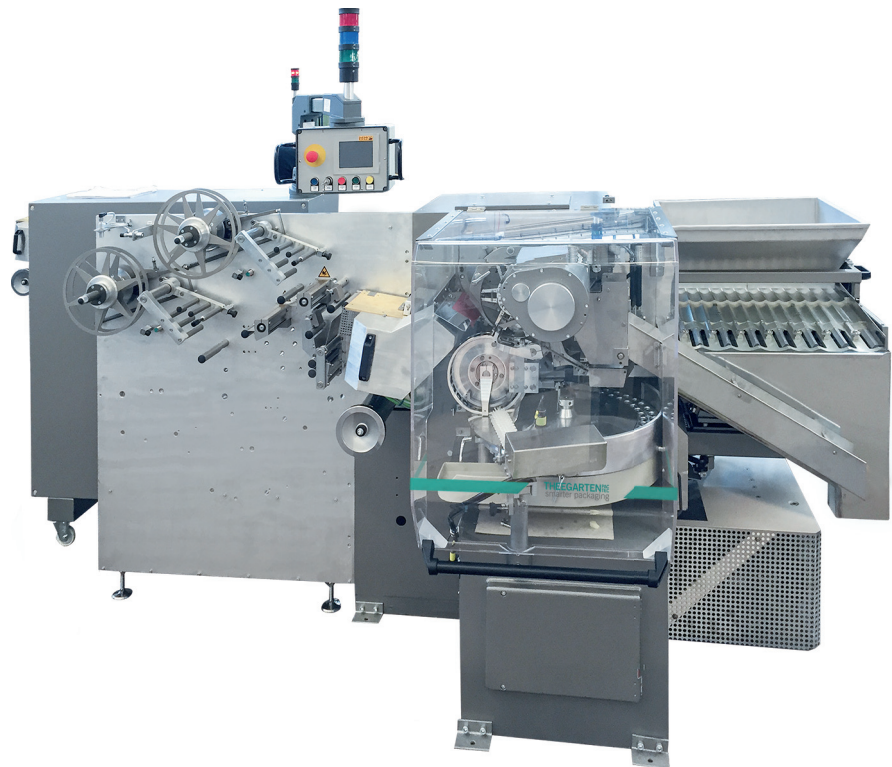
- products suitable for plate feeding
- Hard Candy  
(with or without center-filling)
- Eclair
- Toffees

## Output

- up to 1000 products/min

## Product dimensions

	Length: 18–32 mm Width: 10–24 mm Height: 6–16 mm
	Ø: 18–24 mm Height: 6–16 mm
	Ø: 6–16 mm



# Milletwist

## Wrapping material

- wax paper
- cellophane
- polypropylene
- polyethylene

## Material dimensions

- Reel diameter: up to 350 mm
- Reel width: up to 105 mm
- Core diameter: 76 mm

## Utilities

- Connected load: 11 kVA
- Compressed air consumption: 1 m<sup>3</sup>/h; 600 kPa

## Measurements

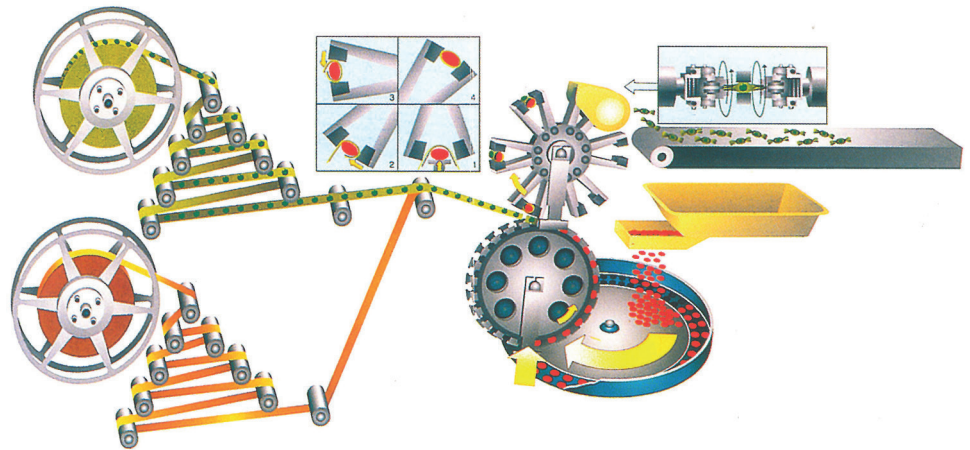
- Machine:
  - Length: 3200 mm
  - Width: 1100 mm
  - Height: 1900 mm
- Switch cabinet:
  - Length: 1200 mm
  - Width: 400 mm
  - Height: 1400 mm

## Weight

- Machine: 2500 kg
- Switch cabinet: 390 kg

## Combination

Beside manual feeding, the machine can be directly synchronized with the production line by means of a Theegarten-Pactec feeding system.



## Special features

- Sorting station to eliminate sugar dust, chips and broken pieces
- Two track feed disc operates at half speed to guarantee a particularly gentle product handling
- Separately driven inner disc for optimized fill level
- Saving of wrapping material by "no product – no paper" -device
- Automatic splicer to change wrapping material reels without stopping the machine
- Ejection of spliced, mal-registered and unwrapped products
- Wrapping material feeding and cutting system driven by an independent servo motor each to guarantee highest cut-off precision
- Variable adjustment of the twist gripper oscillation depending on the wrapping material quality
- Different executions of the twist grippers for different wrapping materials
- Discharge conveyor
- All electrical and electronic components are located in a separate switch cabinet
- Excellent accessibility for operation, maintenance and cleaning purposes

- Easy operation due to the touch screen
- Due to the automatic operation, several machines can be handled by one operator
- System of protection: IP 54

## Optional extras

- Photo-electric print registration
- Additional reel holders for a second wrapping material (under strip) with automatic splicer
- Spare cutting unit for quick exchange during maintenance and change of wrapping material quality
- Special execution for moulded toffees
- remote diagnostics