

Wrapping machine for preformed bouillon tablets.
Compact and efficient overall system thanks to direct connection
between product press and packaging machine.

BCW-eco



Side Fold

Products

- Preformed Tablets

Output

- up to 750 products/min

Product dimensions



Length:	28–32 mm
Width:	22–25 mm
Height:	8–11 mm
Special sizes upon request	



BCW-eco

Wrapping material

- heat-sealable plastic monofilm
- special materials upon request

Material dimensions

- Reel diameter: up to 350 mm
- Core diameter: 70–76,2 mm

Utilities

- Connected load:
mechanical separation 16 kVA
- Compressed air consumption:
1,5 m³/h; 600 kPa
- Cooling water consumption:
0,15 m³/h
Temperature: 10 ... 15°C
Pressure: min. 200 kPa

Measurements

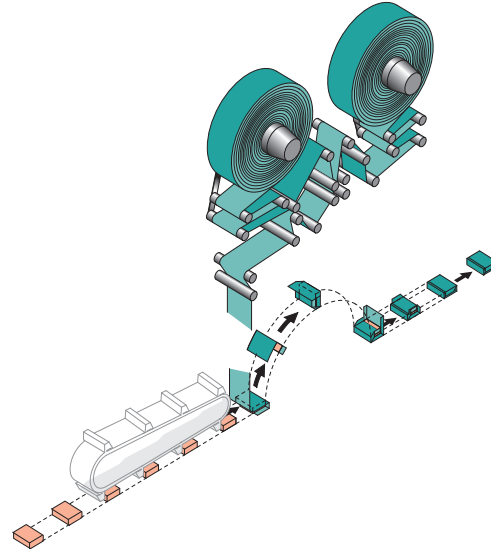
- Machine:
Length: 3000 mm
Width: 1200 mm
Height: 2300 mm
- Switch cabinet:
Length: 2000 mm
Width: 500 mm
Height: 1950 mm

Weight

- Machine: 2100 kg
- Switch cabinet: 550 kg

Combination

Direct synchronisation with the cube press



Special features

- Transfer of the properly aligned product flow from the press and direct feeding to BCW-eco
- Space-saving design by eliminating synchronization and separation of the product flow prior to the packaging process
- Automatic splicer to change wrapping material reels without stopping the machine
- Pneumatic core locking and reel tensioning devices
- Servo-driven wrapping material feed rollers and wrapping material knife
- photo-electric print mark registration to control the wrapping material feeding system for the positioning of the sealing mask and print image in always same position for each wrapped product
- Device for heat sealing of the wrapping material fold
- Ejection of spliced, unwrapped and products with mal-registered print image
- Servo control with PLC functions
- Central lubrication of all gear parts including pressure control
- All electrical and electronic components are located in a separate switch cabinet
- Excellent accessibility for operation, maintenance and cleaning purposes
- Easy operation due to the touch screen
- Due to the automatic operation, several machines can be handled by one operator

Optional extras

- Turning device at 180° for tablets
- Code-dating device (upon request)
- Insertion of a tearing aid into the packaging material
- Detection system for manufacturer foil splices of the wrapping material (splice adhesive tapes) and ejection of the corresponding products
- automatic wrapping material web tracking control to center the wrapping material feed in direction of travel
- Equipment package for easy visual inspection and preventive maintenance