

High speed forming, cutting and wrapping machine for products in double twist. The machine is designed to manufacture “Rocks” products.

U1-TR



Double Twist

Products

- Hard and Soft Caramels
- Toffees
- Chewy Sweets
- Chewing Gum

Output

- up to 800 products/min

Product dimensions



Height: 5–15 mm
Ø: 15–30 mm
Special sizes upon request



U1-TR

Wrapping material

- Cellophane
- Polypropylene

Material dimensions

- Reel diameter: up to 350 mm
- Core diameter: 70–76,2 mm

Utilities

- Connected load: 12 kVA
- Compressed air consumption:
1,5 m³/h; 600 kPa
- Cooling water consumption:
0,15 m³/h
Temperature: 10 ... 15°C
Pressure: min. 200 kPa

Measurements

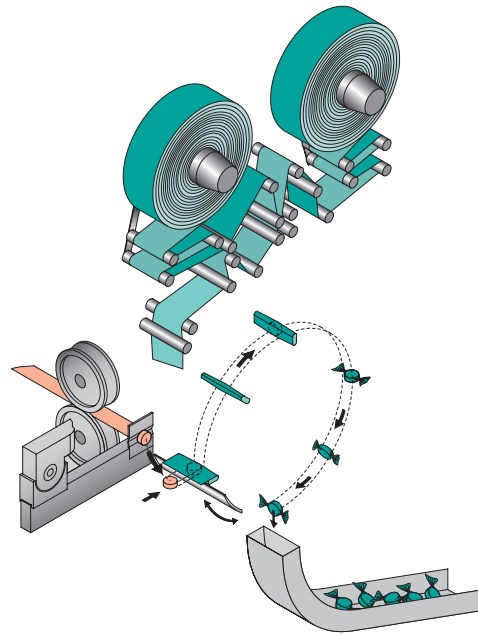
- Machine:
Length: 1860 mm
Width: 1500 mm
Height: 1975 mm
- Switch cabinet:
Length: 1200 mm
Width: 500 mm
Height: 2000 mm

Weight

- Machine: 2000 kg
- Switch cabinet: 270 kg

Combination

Depending on the product, the machine can be synchronized either with a batch roller and rope sizing machine (toffees, hard and soft caramels) or an appropriate extruder and cooling tunnel (chewing gum, bubble-gum, chewy candy).



Special features

- prefeeder and water-cooled guillotine knife
- The pieces are cut vertically from the (normally round) mass rope and are then turned by 90° to be pushed horizontally into the mould wheel. Thus, the cut surface (different colours and designs) becomes visible.
- Automatic splicer to change wrapping material reels without stopping the machine
- Servo control with PLC functions
- Central lubrication of all gear parts including oil pressure control/temperature control
- Pneumatic core locking and reel tensioning devices
- Servo-driven wrapping material feed rollers and wrapping material knife
- All electrical and electronic components are located in a separate switch cabinet

- Excellent accessibility for operation, maintenance and cleaning purposes
- Easy operation due to the touch screen
- Due to the automatic operation, several machines can be handled by one operator
- System of protection: IP 54

Options

- Electronic speed control
- Photo-electric print registration
- Ejecting unit for unwrapped products