

Universal wrapping machine for preformed products. A quick change of product dimensions or wrapping style is possible due to an easy exchange of the modular wrapping units.

# EL3



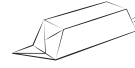
Double Twist



Side Twist-Basket



Side Twist-Sachet



Vienna-Fruit-Fold



## Products

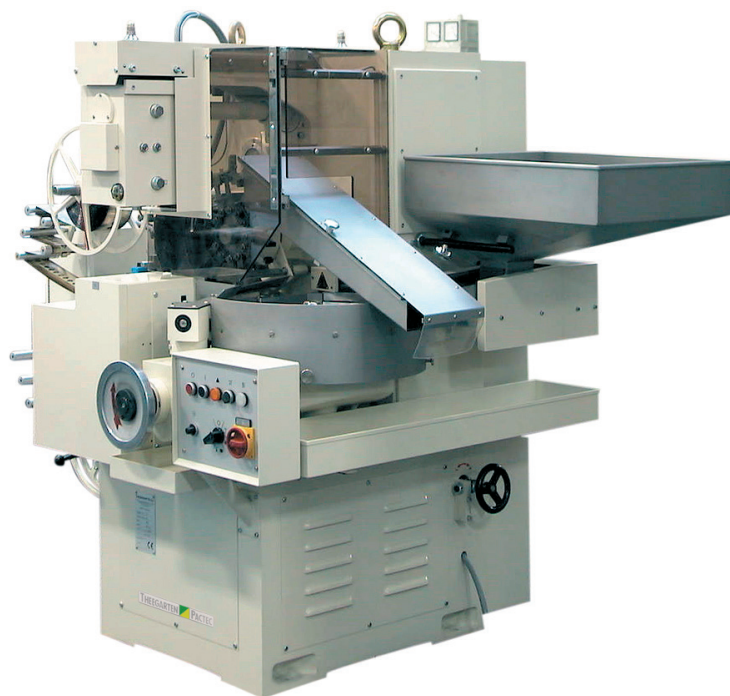
- products suitable for plate feeding
- Hard Candy  
(with or without center-filling)
- Eclair
- Toffees

## Output

- up to 450 products/min Double Twist
- up to 350 products/min Side Twist,  
Vienna-Fruit-Fold

## Product dimensions

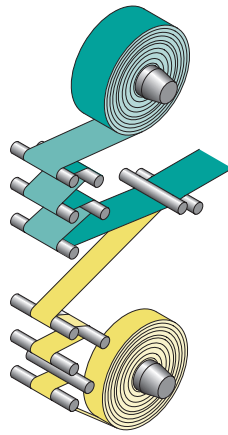
	Length: 20–40 mm
	Side Twist-Sachet: Length: 20–35 mm
	Side Twist-Basket: Length: 20–30 mm
	Width: 12–25 mm Height: 8–16 mm
	Ø: 16–24 mm



# EL3

## Wrapping material

- Double Twist:  
All common wrapping materials can be used
- Side Twist, Vienna-Fuit-Fold:  
Outer wrapper:
  - Aluminium/paper – coated
  - Chromo paper
  - PVC with inner wrapper (Side Twist)Inner wrapper:
  - Glassine
  - Wax paper
  - Aluminium/paper – coated



## Material dimensions

- Reel diameter: up to 350 mm
- Reel width: up to 110 mm
- Core diameter: 40–75 mm

## Utilities

- Connected load: 3,15 kVA

## Measurements

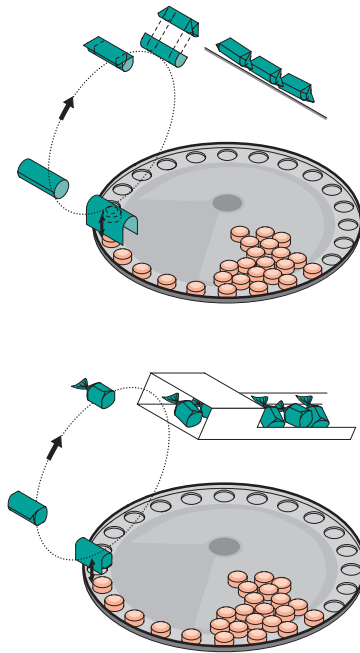
- Length: 1845 mm
- Width: 1270 mm  
2300 mm with inner wrapper
- Height: 1535 mm

## Weight

- 1100 kg

## Combination

Beside manual feeding, the machine can be directly synchronized to the production line by means of a Theegarten-Pactec feeding system.



## Special features

- sorting station to eliminate sugar dust, chips and broken pieces
- Quick size change by exchange of a few size parts only
- Less sensitivity to candy tolerances due to mould wheel grippers opening in both directions
- Saving of wrapping material by »no product – no paper« -device
- Infinitely variable adjustment of the twist gripper oscillation depending on the wrapping material quality
- Heating of sliding ring at the feeding plate to keep candies dry in case of high humidity

- Excellent accessibility for operation, maintenance and cleaning purposes
- Due to the automatic operation, several machines can be handled by one operator

## Options

- Photo-electric print registration
- Controlled discharge of the sweets ("Vienna-fruit" fold)
- Device for using polypropylene (double twist)