

High speed wrapping machine for preformed bouillon cubes and tablets. Very high output rates for mass production are achieved by simultaneous feeding and wrapping in twin-lane execution.

BCW3



Envelope Fold



Bottom Fold



Side Fold



Cube

Products



- Preformed Cubes
- Preformed Tablets

Output

- up to 1700 products/min (preformed cubes)
- up to 1200 products/min (preformed tablets)



Product dimensions

	Length: 13,5–20 mm
	Length: 13,5–35 mm Width: 13,5–25 mm Height: 6–20 mm Special sizes upon request

BCW3

Wrapping material

- Aluminium/paper – coated (sealable)
- Aluminium/OPP – coated (sealable)
- Metallized OPP

Material dimensions

- Reel diameter: up to 350 mm
- Core diameter: 70–76,2 mm

Utilities

- Connected load:
 - mechanical separation 16 kVA
 - electronic separation 25 kVA
- Compressed air consumption:
 - 1,5 m³/h; 600 kPa
- Cooling water consumption:
 - 0,15 m³/h
 - Temperature: 10 ... 15°C
 - Pressure: min. 200 kPa

Measurements

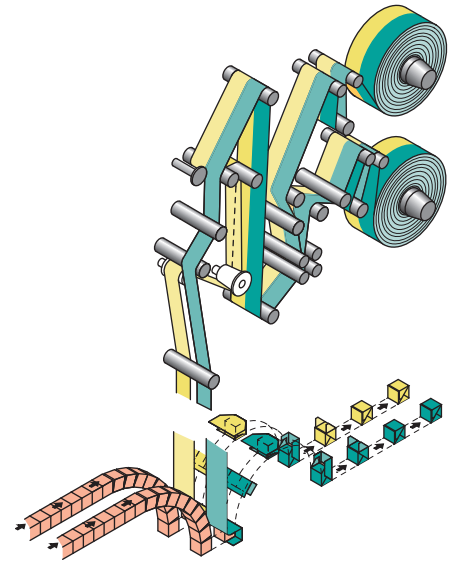
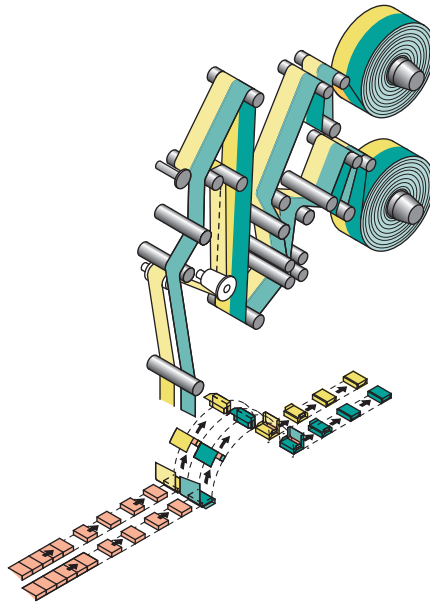
- Machine:
 - Length: 4300 mm
 - Width: 1200 mm
 - Height: 2300 mm
- Switch cabinet:
 - Length: 2000 mm
 - Width: 500 mm
 - Height: 1900 mm

Weight

- Machine: 2000 kg
- Electronic separation: 400 kg
- Switch cabinet: 400 kg

Combination

Direct synchronisation with the cube press



Special features

- Automatic splicer to change wrapping material reels without stopping the machine
- Pneumatic core locking and reel tensioning devices
- Servo-driven wrapping material feed rollers and wrapping material knife
- Ejection of spliced, mal-registered and unwrapped products
- Servo control with PLC functions
- Central lubrication of all gear parts including oil pressure control/temperature control
- All electrical and electronic components are located in a separate switch cabinet
- Excellent accessibility for operation, maintenance and cleaning purposes
- Direct synchronisation with the cube press
- Sealing device with optional cooling section for wrapped products
- Easy operation due to the touch screen
- Due to the automatic operation, several machines can be handled by one operator

Optional extras

- Photo-electric print registration
- Turning device at 180°
- Code-dating device
- Tear tape device

Electronic separation

For the simultaneous wrapping of 2 resp. 4 square resp. rectangular products, consisting of one accumulation conveyor and two parallel arranged phasing and acceleration conveyors for the controlled product positioning.

Mechanical separation

For the simultaneous wrapping of 2 resp. 4 cubes, consisting of two transport conveyors with a length of 1 meter each and two 90° infeed curves.